

LOAD RESTRAINT GUIDELINE



L LRG0111 Brinsworth Narrow Coil in a Well Issue 1

| Partial | UK | Export |
|---------|----|--------|
| ✗ | ✓ | ✓ |

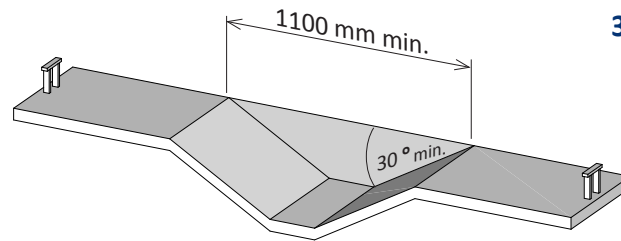
Key: ✓ = Covered in this document

✗ = Not permitted

LLRG... = See referenced LLRG

Essential requirements

- All webbing straps must have a minimum LC of 2000daN, and must be compliant with EN 12195-2.
- Well width must be a minimum of 1100mm, with a well angle of minimum 30°

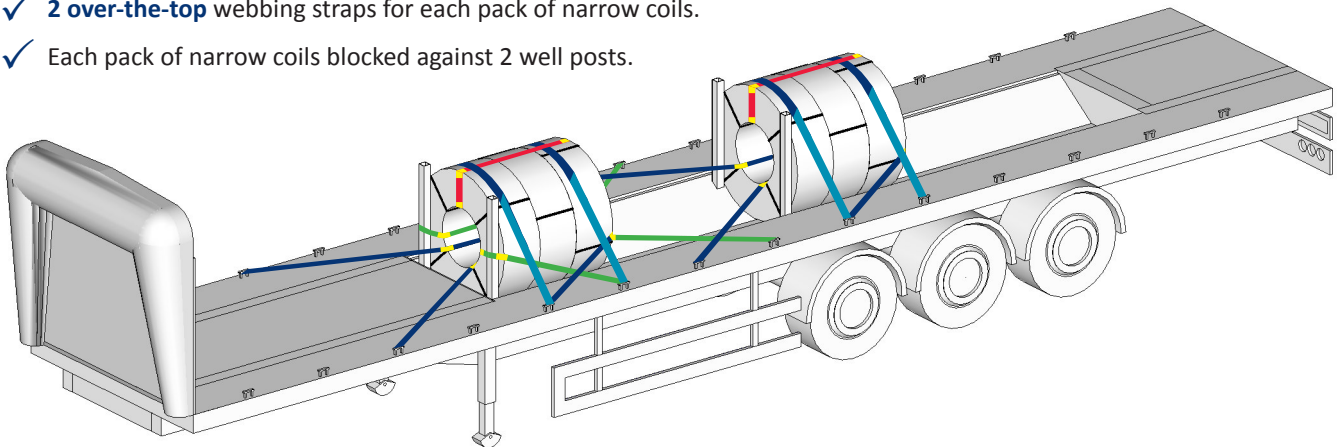


350 mm minimum sheet width
1350 mm maximum diameter

- Edge protection must be applied to webbing straps in contact with all sharp edges and the trailer chassis.
- Front coil blocked in the forward direction against 2 off well posts with a minimum section size of 80 x 80mm
- Posts must be in good condition.
- All coils are to be loaded tight against posts and each other (with packers if required) ensuring there are no uncontrolled gaps.
- Straps to be fitted as shown.
- Weight limits for each restraint option must be observed.

Restraint system overview

- ✓ **Hook-to-hook** strap applied around the top of each pack of narrow coils to prevent toppling.
- ✓ **2 over-the-top** webbing straps for each pack of narrow coils.
- ✓ Each pack of narrow coils blocked against 2 well posts.



- ✓ **2 direct** webbing straps for each pack of narrow coils pulling in rearward direction (see restraint options 2 and 3 for details).
- ✓ **2 direct** webbing straps for each pack of narrow coils pulling in forward direction.

LOAD RESTRAINT GUIDELINE

L LRG0111 Brinsworth Narrow Coil in a Well Issue 1

Restraint option 1

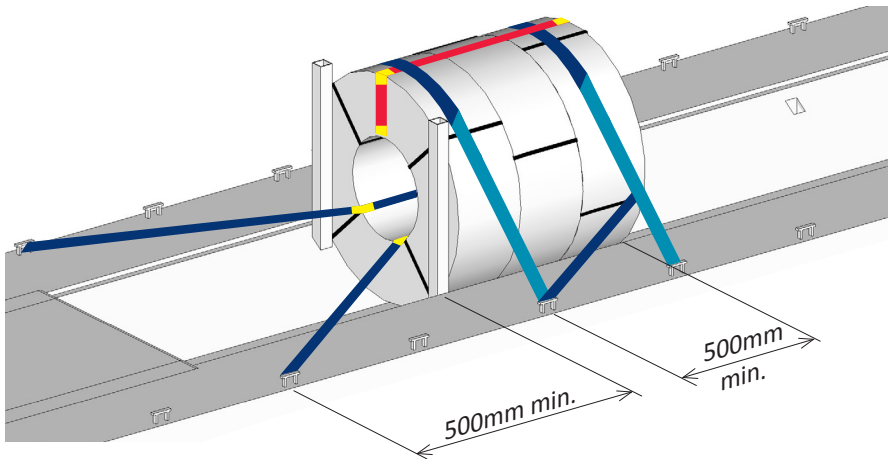


Table 1: Maximum total pack weight

| Posts cross section | Maximum weight |
|---------------------|----------------|
| 80 x 80 x 4 mm | up to 8 t |
| 80 x 80 x 5 mm | up to 10 t |
| 100 x 100 x 4 mm | up to 12.5 t |

Restraint option 2

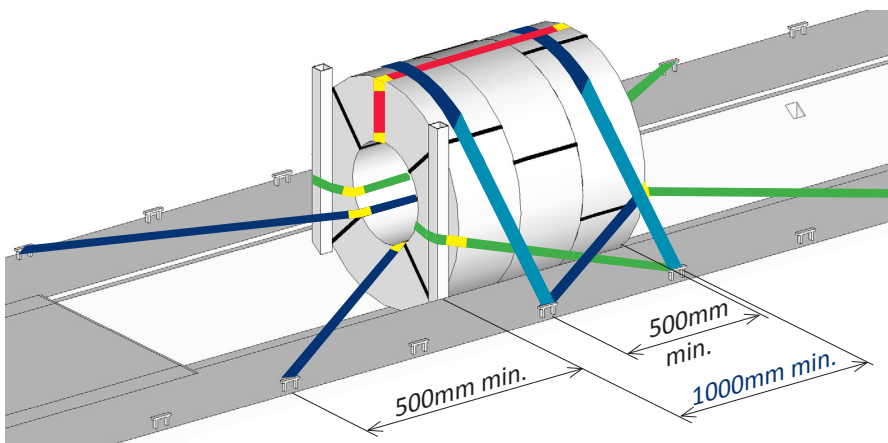


Table 2: Maximum total pack weight

| Posts cross section | Maximum weight |
|---------------------|----------------|
| 80 x 80 x 4 mm | up to 10.5 t |
| 80 x 80 x 5 mm | up to 13 t |
| 100 x 100 x 4 mm | up to 15 t |

Restraint option 3

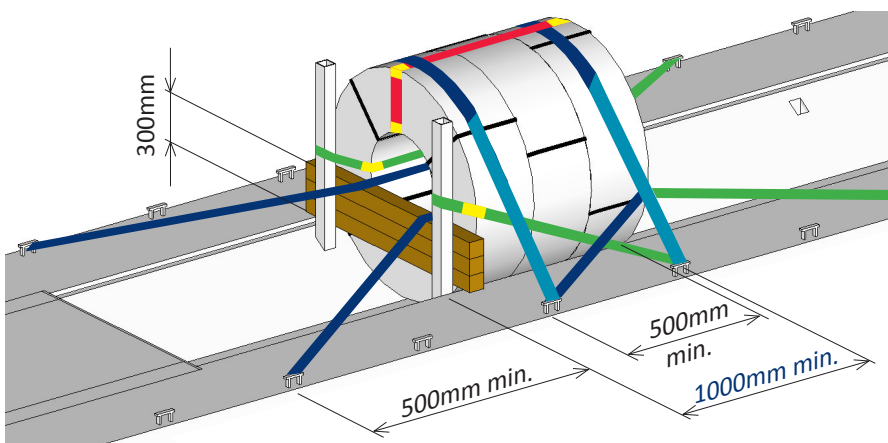


Table 3: Maximum total pack weight

| Posts cross section | Maximum weight |
|---------------------|----------------|
| 80 x 80 x 4 mm | up to 13 t |

✓ Blocking height 300 mm